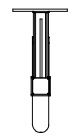
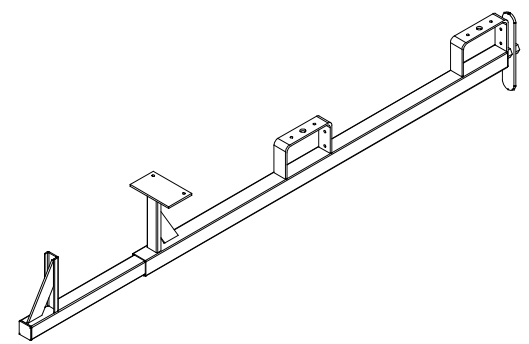
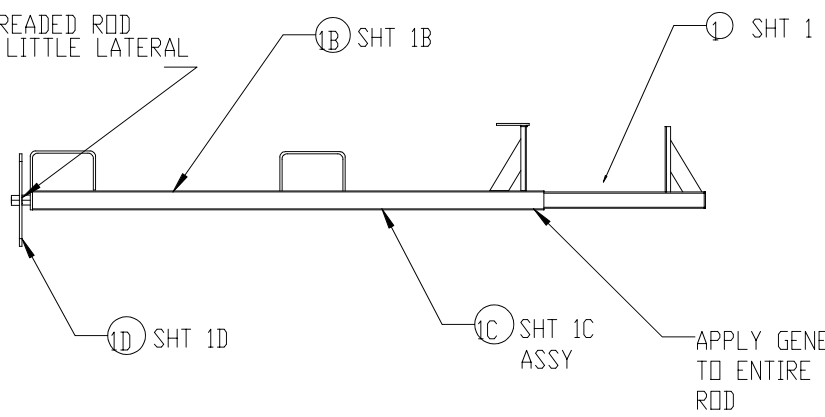


REVISIONS				
ZONE	REV	DESCRIPTION	DATE	APPROVED

TIGHT FIT. THREADED ROD SHOULD HAVE LITTLE LATERAL MOVEMENT



GENERAL NOTES:

- BREAK ALL SHARP EDGES AND CORNERS, EXCEPT AS NOTED
- SCALE DRAWING FOR DIMENSIONS NOT SHOWN
- WHERE CONFLICT BETWEEN ANSI Y14 AND THIS DRAWING EXIST, THIS DRAWING SHALL PREVAIL.
- APPLY YELLOW PAINT PANTONE #P116C TO ALL SURFACES
- IDENTIFY AND INSPECT PER STANDARD SHOP PRACTICE.

1C	1D	1	SCREW ASSEMBLY				
1C	1B	1	OUTER HOUSING ASSY				
1C	1	1	INNER SLAB ASSEMBLY				
1C	1C	1	FULL C-SLAB ASSEMBLY				
<small>PART NO.</small>	<small>ASSY USED ON</small>	<small>DETAIL NO.</small>	<small>QTY</small>	<small>NAME OF DETAIL</small>	<small>MATERIAL</small>	<small>FINISHED SIZE</small>	
<small>ALL DIMENSIONS IN INCHES</small>	<small>DIMENSIONAL TOLERANCES: ±0.030</small>	<small>ANGLES</small>	<small>FINISH:</small> FINISH <input checked="" type="checkbox"/>	GUARDIAN FALL PROTECTION C-SLAB ASSY-001		<small>TITLE</small> FULL C-SLAB ASSEMBLY	
<small>DESIGNED BY:</small>	AJ DAVIGNON	<small>05/24/06</small>	<small>DWG NO.</small>			<small>SIZE</small> B	<small>REV</small>
<small>DRAWN BY:</small>	AJ DAVIGNON	<small>05/24/06</small>	<small>SCALE:</small>			1:12	<small>SHEET:</small>
<small>CHECKED BY:</small>	AJ DAVIGNON	<small>05/24/06</small>	<small>MATERIAL:</small>				1C OF 1C
<small>APPD BY:</small>	AJ DAVIGNON	<small>05/24/06</small>					